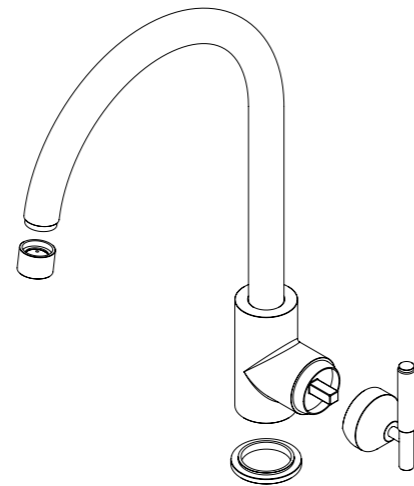
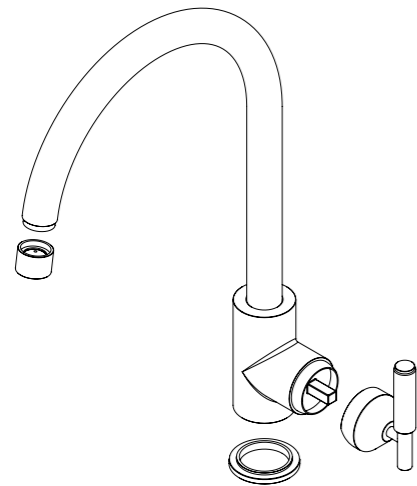


KITCHEN TAP / MIXER
PREPARATION AND INSTALLATION

INSTRUCTION MANUAL



MINIMUM RECOMMENDED WATER PRESSURE:
7.25PSI (0.5 BAR)
MAXIMUM RECOMMENDED WATER PRESSURE:
72PSI (5 BAR)
RECOMMENDED HOT WATER TEMPERATURE:
70°C (158°F)
RECOMMENDED TEMPERATURE RANGE:
5 - 60°C (41 - 140°F)

NOTE: EXCEEDING THESE TEMPERATURES OR WATER PRESSURES CAN RESULT IN DAMAGE TO THE TAP. A PRESSURE REDUCING VALVE MAY BE REQUIRED TO BE FITTED IN HIGH WATER PRESSURE SITUATIONS.

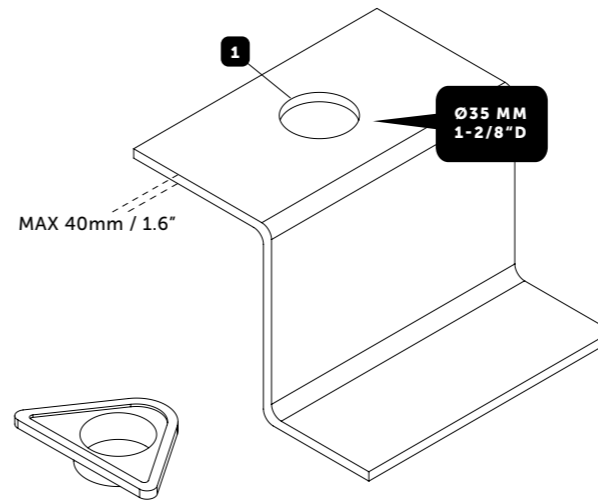
DISCLAIMER: THIS PRODUCT IS NOT SUITABLE FOR COMMERCIAL USE.

NOTE: INSTALLATION INSTRUCTION MANUAL APPLICABLE FOR UK SINGLE MIXER TAPS SUPPLIED BY BUSTER + PUNCH. PRODUCT VARIATIONS COVERED BY THIS INSTRUCTION MANUAL ARE LISTED BELOW:

BUSTERANDPUNCH.COM
L0210

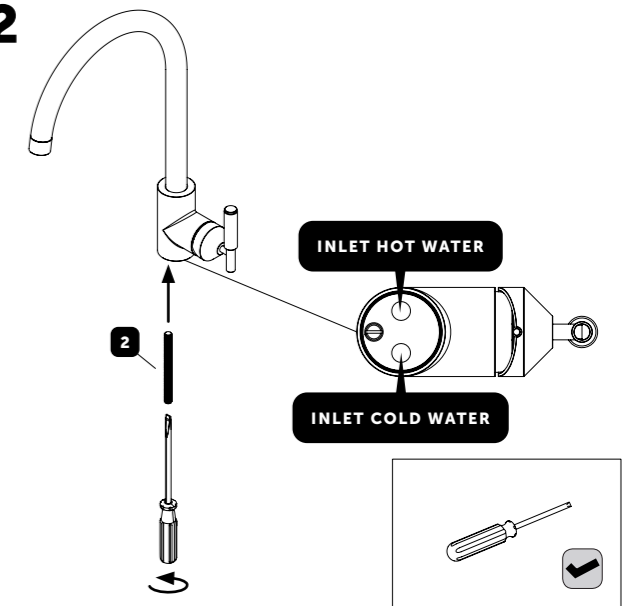
KITCHEN TAP (WARM/COLD) / CROSS / SINGLE MIXER
KITCHEN TAP (WARM/COLD) / LINEAR / SINGLE MIXER

1

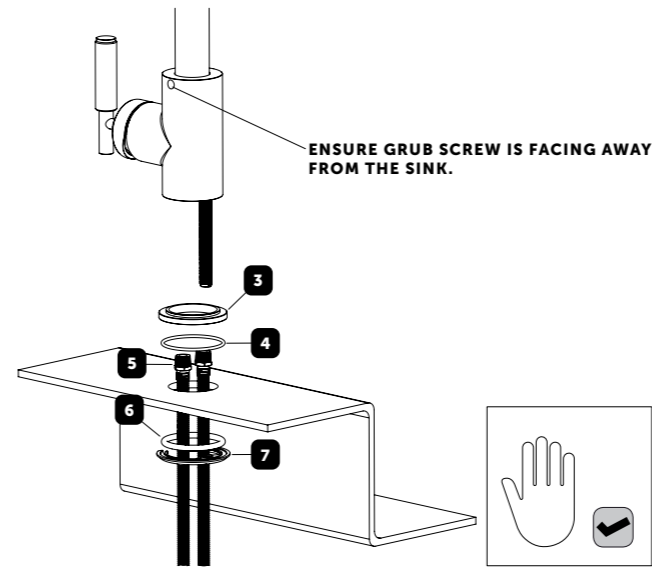


FOR SURFACES <5MM USE THE TAP BRACE PROVIDED

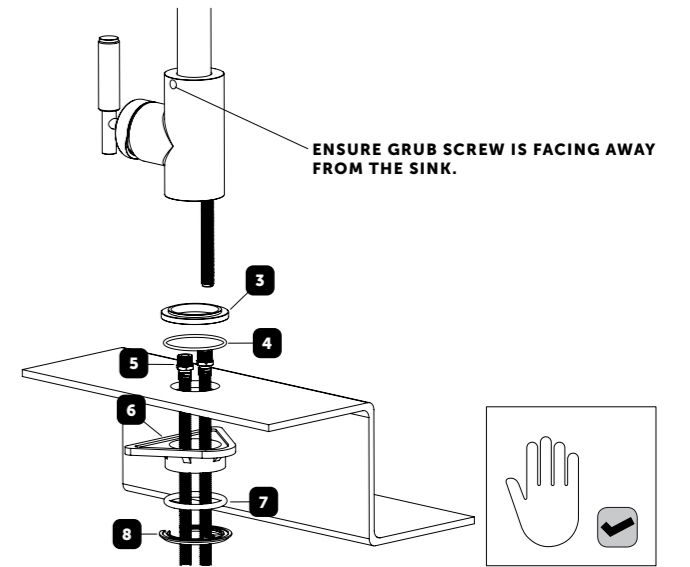
2



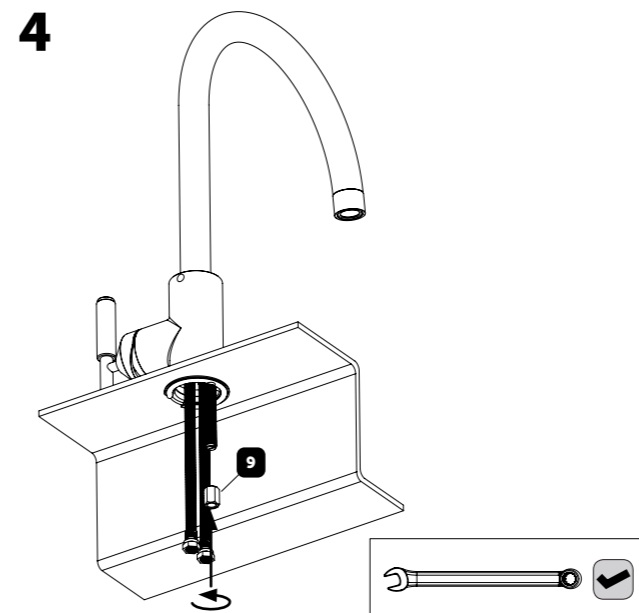
3 a



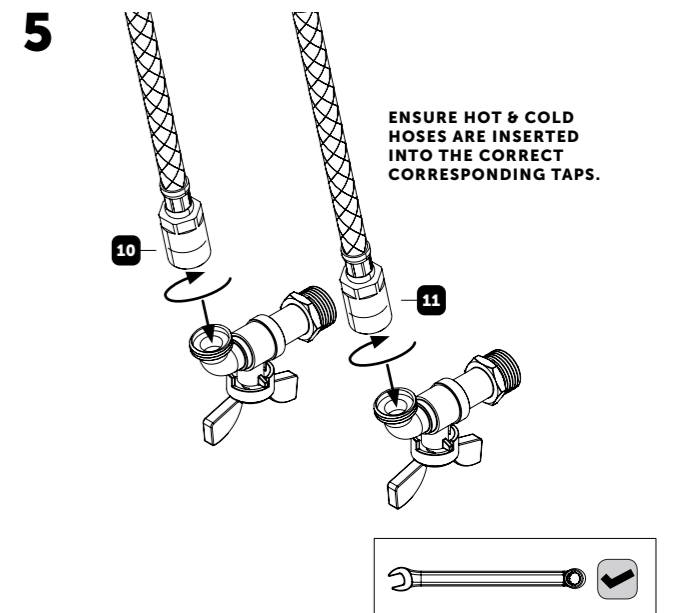
3 b FOR SURFACES <5MM DEPTH



4



5



PREPARATION

BEFORE INSTALLING THE NEW MIXER IT IS ESSENTIAL THAT YOU THOROUGHLY FLUSH THROUGH THE SUPPLY PIPES IN ORDER TO REMOVE ANY REMAINING SWarf, SOLDER OR OTHER IMPURITIES.

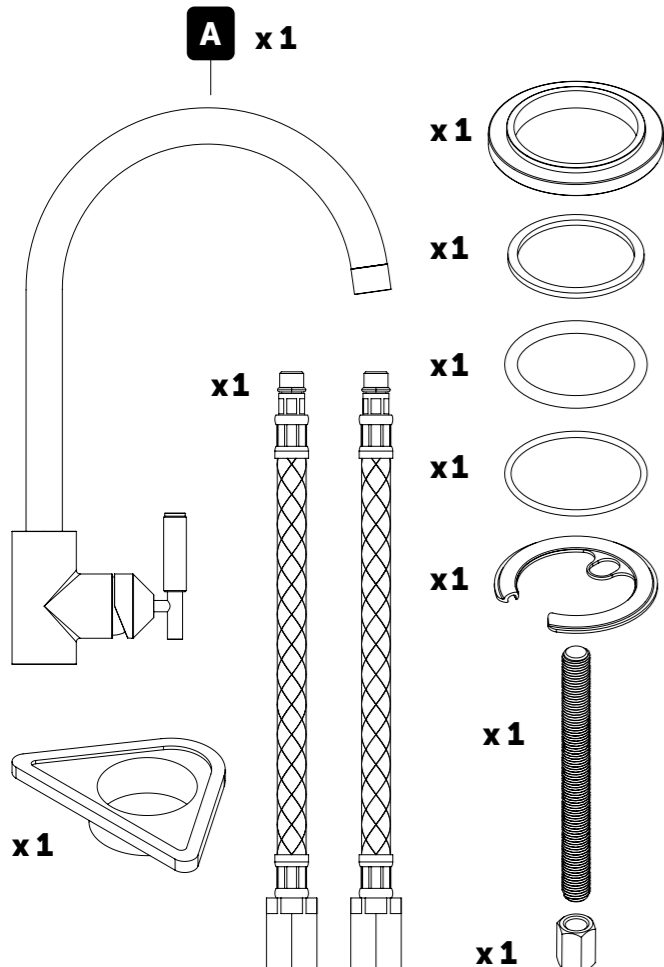
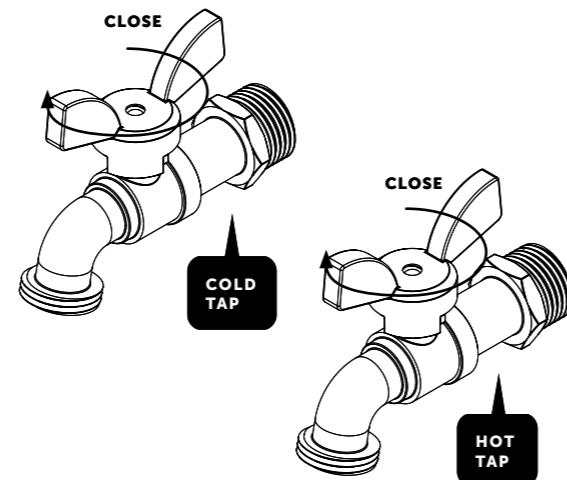
FAILURE TO CARRY OUT THIS SIMPLE PROCEDURE COULD CAUSE PROBLEMS OR DAMAGE TO THE WORKINGS OF THE MIXER.

HAVING FIRST CHECKED ALL NEW CONNECTIONS, TURN ON THE MAINS STOPCOCK, CLOSE ALL TAPS EXCEPT THE NEW MIXER AND AS THE SYSTEM STARTS TO REFILL CHECK FOR LEAKS.

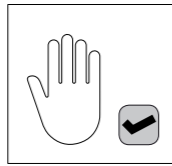
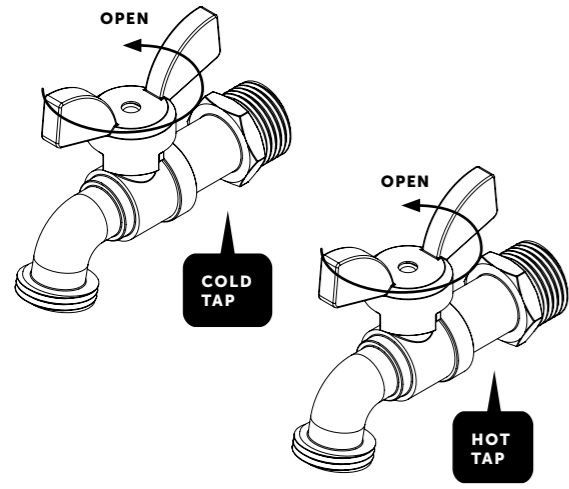
ONCE YOU HAVE SATISFIED YOURSELF THAT THERE ARE NO LEAKS, SWITCH ON THE WATER HEATING.

FIRST SHUT OFF YOUR WATER HEATING SYSTEM THEN, WITH YOUR MAINS STOPCOCK CLOSED, OPEN THE LOWEST HOT AND COLD TAPS IN THE HOUSE AND ALLOW TO RUN UNTIL THE COLD STORAGE TANK AND PIPES ARE EMPTY (THE HOT WATER STORAGE CYLINDER ALWAYS REMAINS FULL).

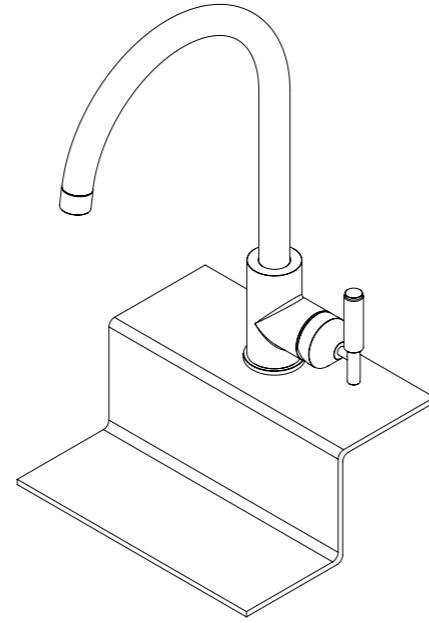
DISCLAIMER: PLEASE CONTACT YOUR LOCAL PLUMBER WHEN INSTALLING.



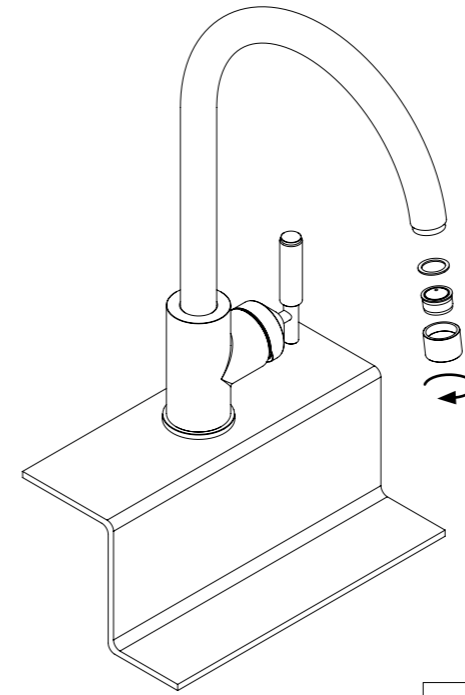
6



7



AERATOR MAINTENANCE



RECOMMENDED TO BE CLEANED AT LEAST
ONCE A MONTH
**NOTE: IF THERE IS A BUILDUP OF
LIMESCALE IT MAY BE WORTH REPLACING**

